

650mm & 1000mm dia. Mooring Buoys

AQUAMOOR Series

AQUAMOOR-1000

The Aquamoor-1000 has a 1000mm diameter offering increased visibility & buoyancy in deeper waters

Closed-cell polyurethane foam filled

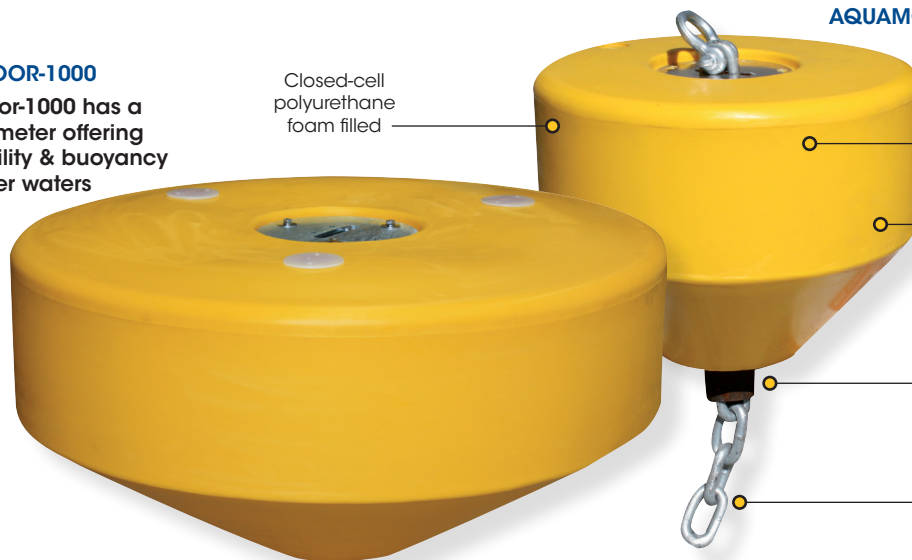
AQUAMOOR-650

Made from strong, durable, UV-stabilised, virgin polyethylene

Rotationally-moulded to 7mm wall thickness

Large galvanised mooring tube

Chain not included - range of mooring equipment available



The Sealite Advantage

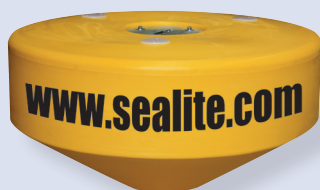
- High visibility colours
- No painting ever
- Strong, polyethylene construction
- Replaceable mooring tube
- Clear identification with optional graphics
- Eco-friendly
- AQUAMOOR-650: 70kg reserve buoyancy
- AQUAMOOR-1000: 145kg reserve buoyancy

The Sealite range of Aquamoor Mooring Buoys are designed to offer customers long life and are suitable for most locations.

The Aquamoor range is available in 650mm and 1000mm diameter. The mooring buoys are rotationally-moulded from UV-stabilised virgin polyethylene to a 7mm wall thickness, and are foam filled with closed-cell polyurethane to prevent water ingress in the unlikely event of damage to the outer layer.

The large galvanised mooring tube with 82.5mm ID will accept mooring chain of up to 20mm in diameter. The mooring tube is not moulded into the buoy but slides into a tubular section that runs down the centre of the buoy enabling the tube to be replaced at any stage during the product's service life.

Sealite's Aquamoor Mooring Buoys are capable of supporting substantial loads, and are available in a range of colours for clear visibility.

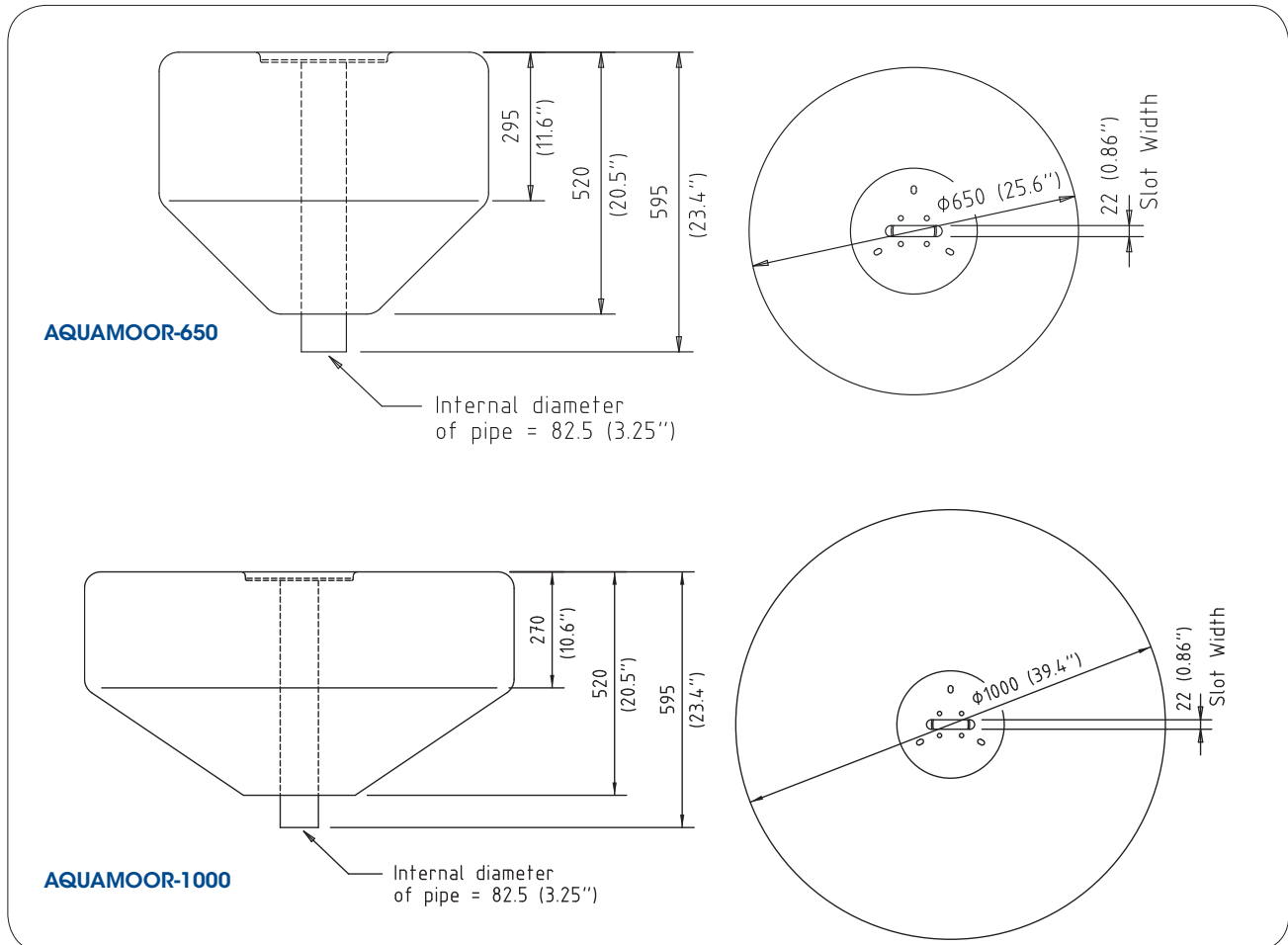


Optional
Mould-in Graphics
Available



650mm & 1000mm dia. Mooring Buoys

AQUAMOOR Series



Environmentally Friendly & Recyclable

Sealite buoy products are made from recyclable materials. As a service to customers, individual components and products at the end of their service life may be returned to Sealite for recycling.

SPECIFICATIONS *	AQUAMOOR-650	AQUAMOOR-1000
General Characteristics		
Available Colours	Red, Green, White, Yellow as per IALA Recommendations	Red, Green, White, Yellow as per IALA Recommendations
Total Float Volume (ltrs/US gallon)	136 / 36	290 / 76.6
Reserve Buoyancy (kgs/lbs)	70 / 154	145 / 320
Draft, Maximum (mm/inches)	450 / 17 ³ / ₄	450 / 17 ³ / ₄
Freeboard, Minimum (mm/inches)	145 / 5 ³ / ₄	145 / 5 ³ / ₄
Submergence (kg/cm, lb/inches)	3.4 / 19.1	8.1 / 45.4
Physical Characteristics		
Material	Rotationally-moulded UV-stabilised virgin polyethylene	Rotationally-moulded UV-stabilised virgin polyethylene
Wall Thickness (mm/inches)	7 / 1/4	7 / 1/4
Filling	Closed-cell polyurethane foam	Closed-cell polyurethane foam
Height (mm/inches)	595 / 23 ³ / ₈	595 / 23 ³ / ₈
Width (mm/inches)	650 / 25 ³ / ₈	1000 / 39 ³ / ₈
Mass (kg/lbs)	21 / 46	35 / 77
Product Life Expectancy	Up to 12 years	Up to 12 years
Certifications		
IALA	Surface colours compliant to IALA E-108	Surface colours compliant to IALA E-108
Quality Assurance	ISO9001:2008	ISO9001:2008
Intellectual Property		
Trademarks	SEALITE® is a registered trademark of Sealite Pty Ltd	SEALITE® is a registered trademark of Sealite Pty Ltd
Warranty *	1 year	1 year
Options Available	Mould-in graphics	Mould-in graphics

CE • Specifications subject to change or variation without notice
 * Subject to standard terms and conditions

Sealite have a range of mooring chains & accessories
 - ask your representative today how we can supply your complete mooring solution